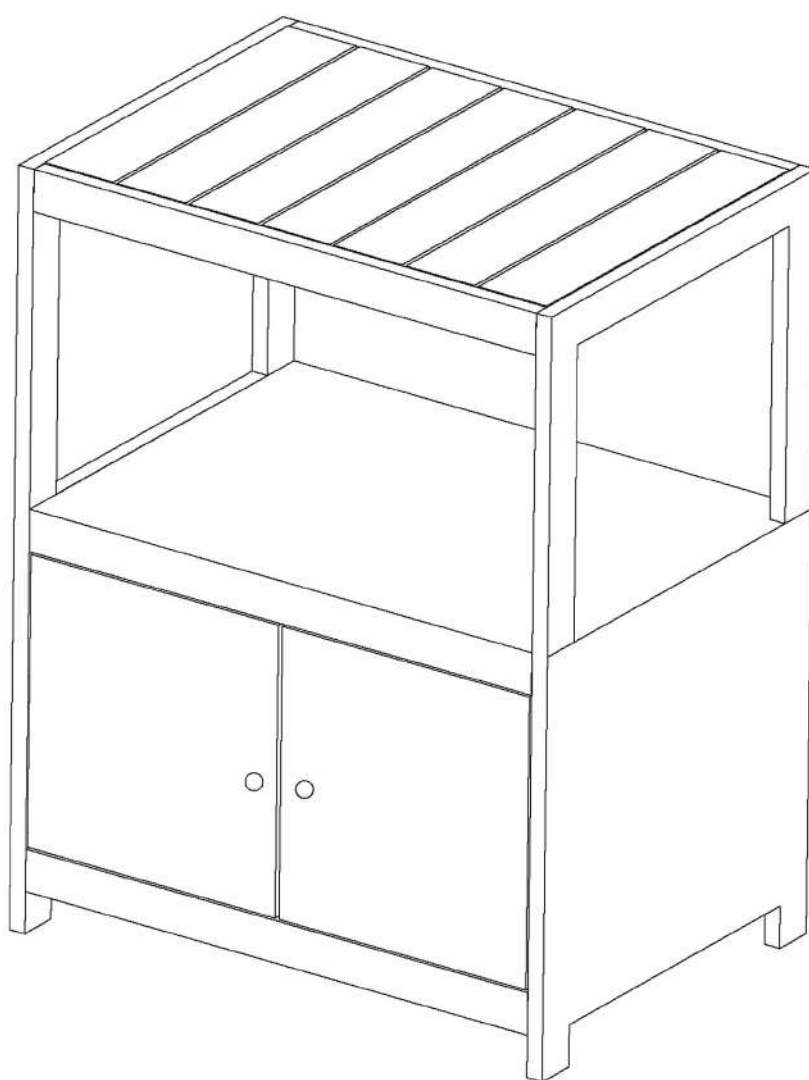




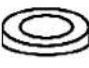


Outdoor Kitchen Cabinet

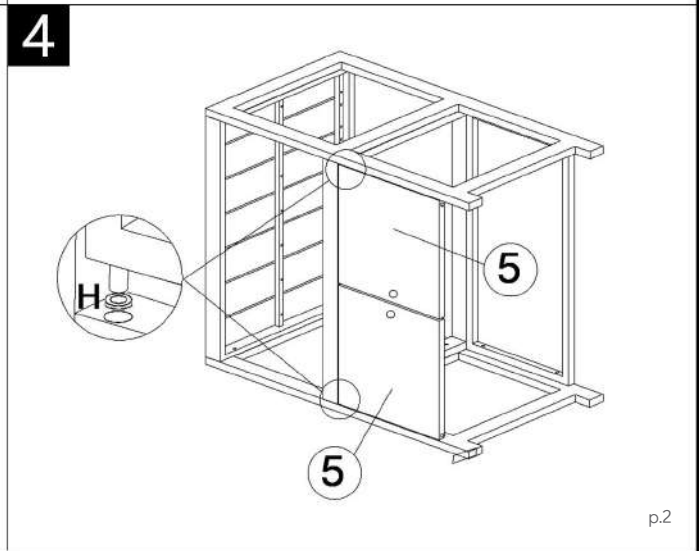
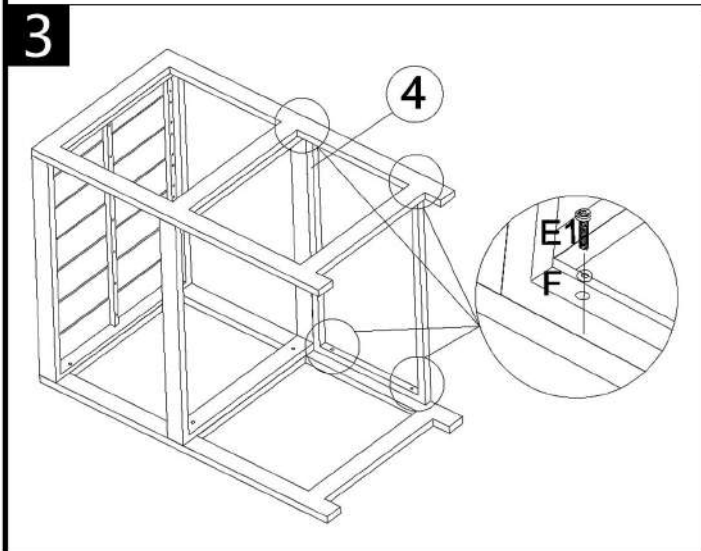
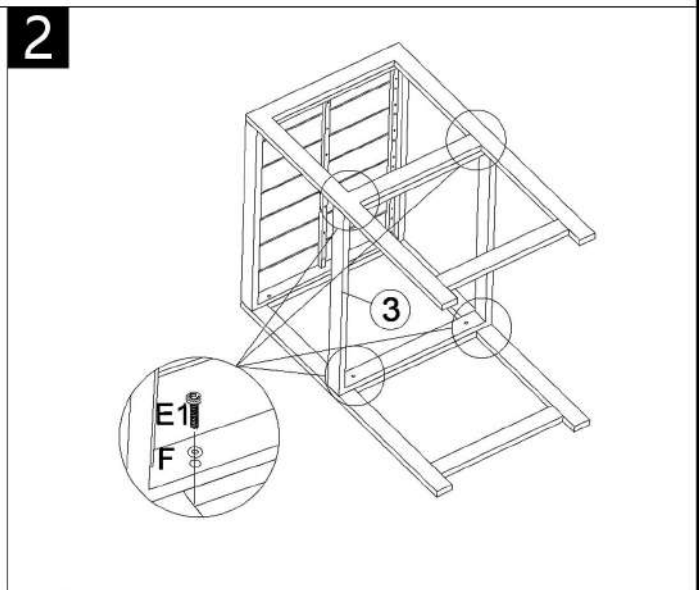
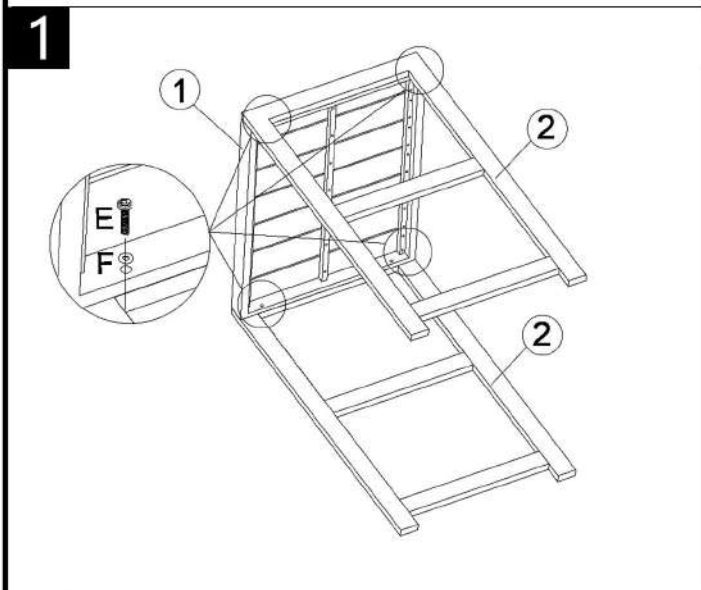
Assembly Instructions



Outdoor Kitchen Cabinet

Assembly Instructions

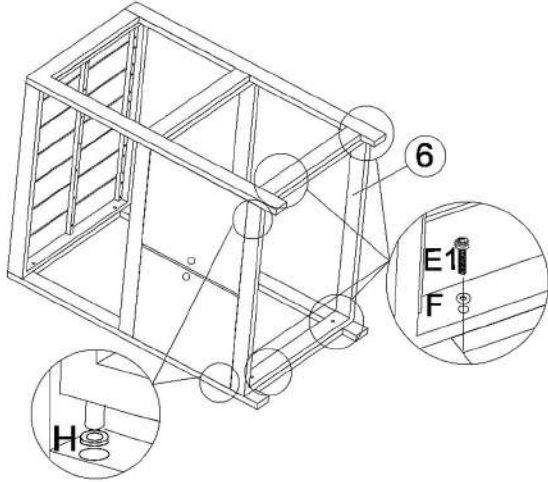
No.		Qty	No.		Qty
1		1	E	 M6*30	4
2		2	E1	 M6*35	12
3		1	F	 M6	16
4		1	G	 S4-M6	1
5		2	H	 Plastic gasket	4
6		1			



Outdoor Kitchen Cabinet

Assembly Instructions

5



6



Tip - Do not fully tighten the bolts until the item is fully assembled.