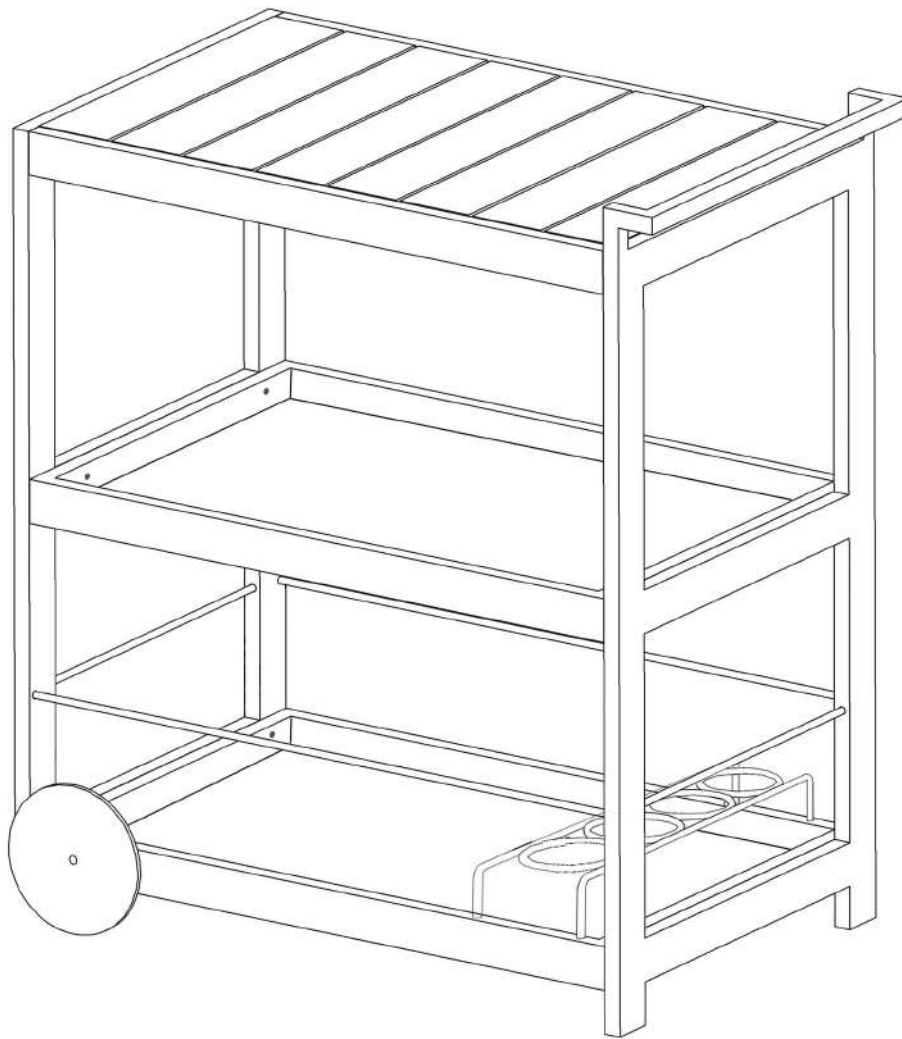









# Outdoor Kitchen Trolley



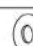



## Assembly Instructions

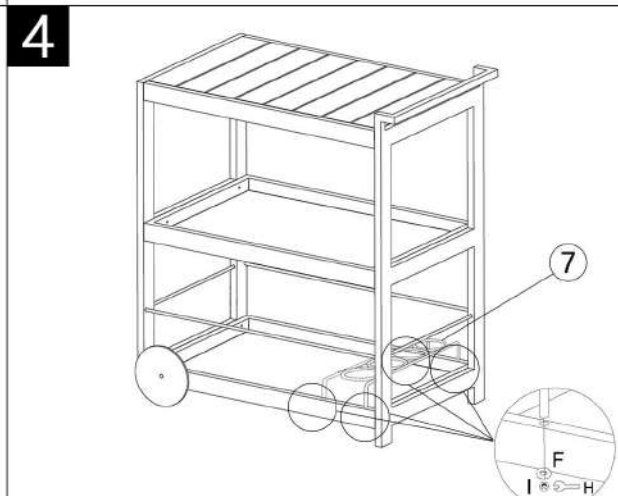
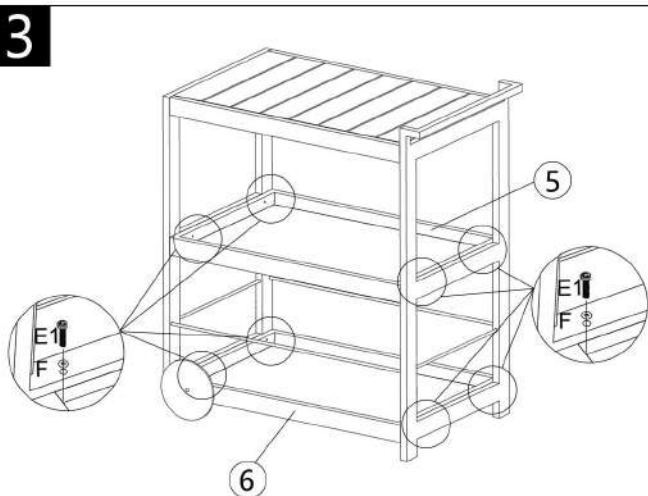
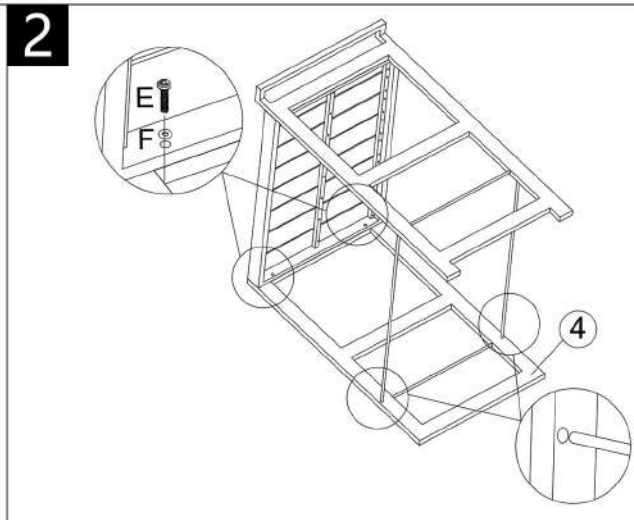
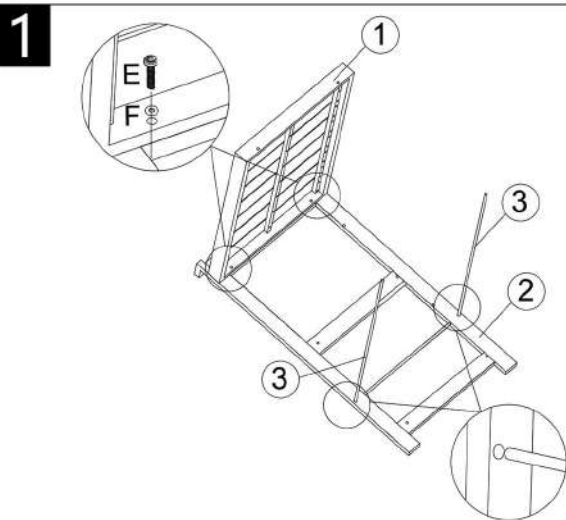


# Outdoor Kitchen Trolley

## Assembly Instructions

No.		Qty
1		1
2		1
3		2
4		1
5		1
6		1
7		1

No.		Qty
E	 M6*30	4
E1	 M6*35	8
F	 M6	16
G	 S4-M6	1
H	 M6	1
I	 M6	4



Tip - Do not fully tighten the bolts until the item is fully assembled.